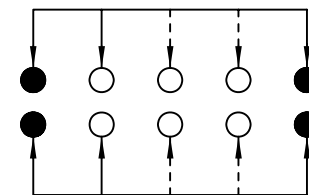
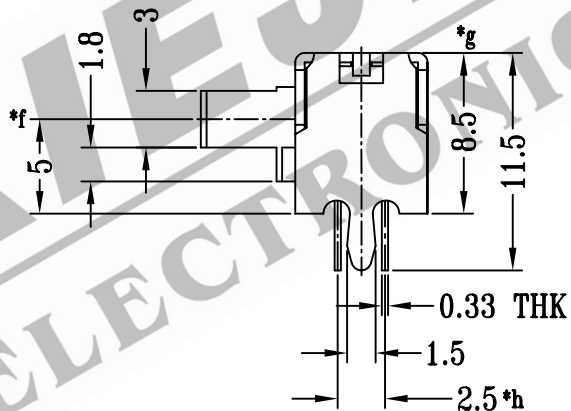
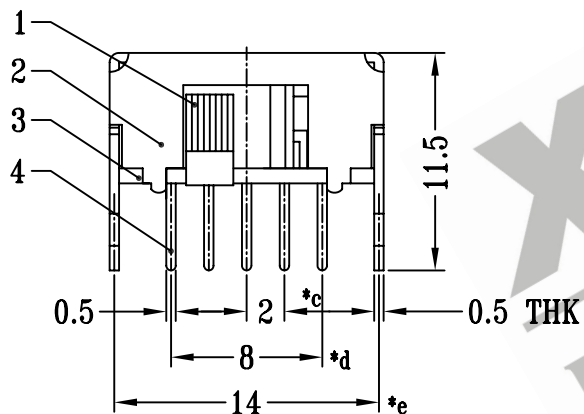
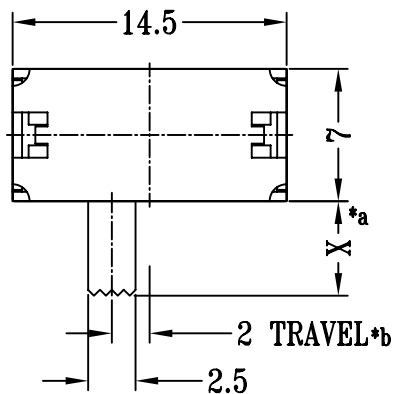
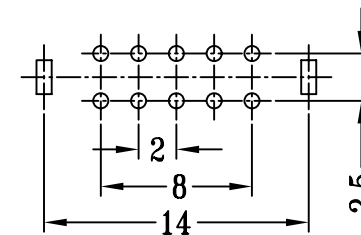


CAD FILE:



SCHEMATIC (NON-SHORTING)



P.C.B LAYOUT

注:带*表示关键尺寸(8个)

8					TOLERANCE	SHENZHEN XIEJIA ELECTRONICS CO.,LTD.				
7					UNLESS SPECIFIED					
6	SPRING PLATE	STAINLESS STEEL	1	NATURAL	WITHIN: 1.5±0.1mm	ISSUE	DATE	DESCRIPTIONS		APPD.
5	CONTACT CLIP	PBS	2	Ag CLAD	OVER : 1.5±0.2mm					
4	TERMINAL	BRASS STRIP	10	Ag PLATED OVER Ni PLATED	TITLE : HORIZONTAL SLIDE SWITCH	UNIT : MM		DRWG NO.: XJ-DR-SK23D55-00		
3	BASE	PHENOLIC RESIN	1	NATURAL	MODEL: SK-23D55	SCALE: 5 : 2		DWN.	ZHOUYU	2006-11-26
2	FRAME	STEEL STRIP	1	Zn PLATED				CHK'D	FANGYING	2006-11-26
1	KNOB	POM	1	BLACK	ALL MATERIALS MUST BE COMPLIANT TO ROHS			APPD.	KANGXINAN	2006-11-26
NO.	PART NAME	MATERIAL	Q'TY	FINISHING						